

/// Shake Machine 6690-C

220V - Gravity Feed
Refrigerated Hopper Pre-Chills Mix

- ☆ Single Flavor // Countertop
- ☆ Up to 240, 10oz drinks per hour
- ☆ 7.3 Qt Cylinder - 21.2 Qt Hopper
- ★ Higher capacity solution with greater flexibility to serve larger crowds alcoholic & non-alcoholic frozen drinks including milkshakes



Fast Freeze Down

Patented 100% Controlled Contact Flooded Evaporator – Designed for maximum efficiency, this innovation delivers the industry's fastest freeze-down and recovery times. The result? Smaller ice crystals and the smoothest, creamiest mouthfeel.

Reduced Parts - Easy Cleaning

Single-Piece V3 Auger Design – The drive shaft and auger are combined into one solid over-molded plastic and steel piece, reducing parts, improving drink quality, cutting cleaning time, and enhancing the user experience.

Simple Control, Easy Operation

Simple and intuitive control system makes operation and viscosity adjustment easy, swift and more precise

RGB Display with Low-Level Indicator

Quickly reference machine status with an RGB display, featuring a flashing red light when the product level is low.

Backlit Virtual Merchandising

A high-visibility, illuminated display area for branding and marketing your product. Includes flavor cards, with dimensions available for custom designs.

Low-Mix Freeze Protection

Proprietary technology prevents machine freeze-ups by automatically switching to standby mode when product runs out, ensuring uninterrupted operation.



✦ The Spaceman Difference

QUALITY

Superior Craftsmanship

Designed by Aerospace Engineers

- ✓ Patented Freezing Cylinder
- ✓ Built to last, attention to detail
- ✓ Microcrystal Technology

VALUE

Maximum ROI

Lower Your Cost of Ownership

- ✓ Fair up front cost
- ✓ Lower service and parts costs
- ✓ Lowest energy cost per serving

SERVICE

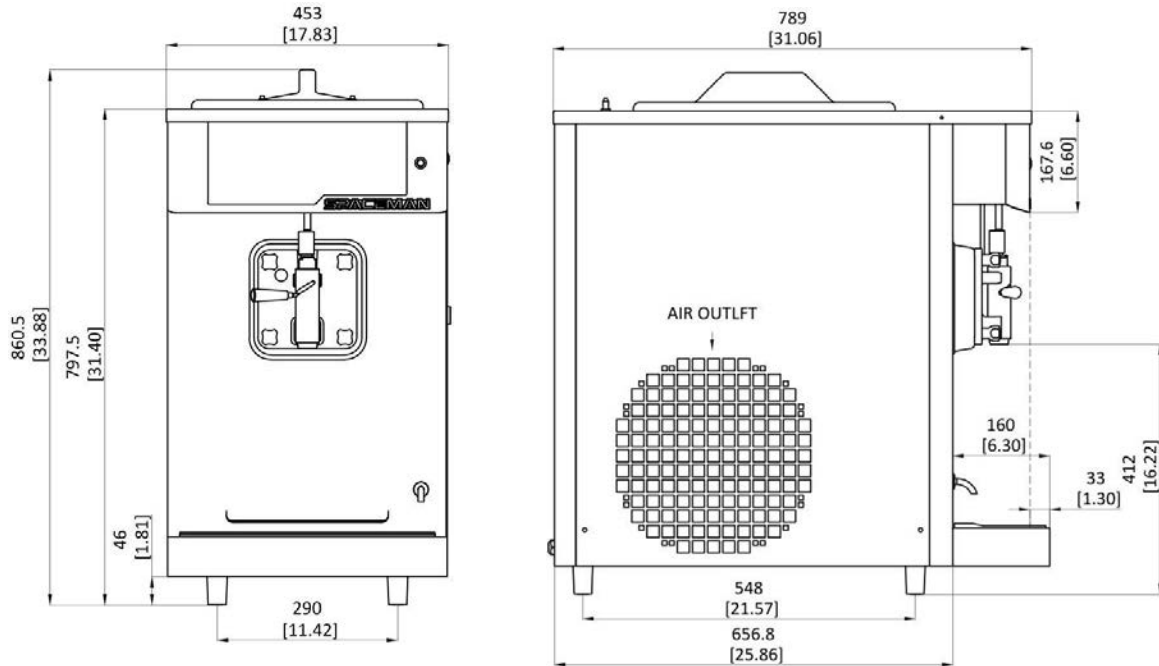
Best User Experience

Service on Your Terms

- ✓ Dedicated Success Team
- ✗ No binding contracts
- ✗ No locked-in maintenance fees

/// Shake Machine

6690-C



Specifications

Flavors	1
Freezing Cylinders	1 x 6.9L / 7.3 Qt
Mix Hoppers	1 x 20L / 21.2 Qt
Output Capacity (10oz servings)	240 servings/hr
Max Serving Size	32oz
Clearance Requirements	152mm/6" on left

Weight	Kg/lb
Net	128 / 282
Shipping	145 / 320
Volume	1 CBM / 18 CBF

Dimensions	Net (mm/in)	Shipping (mm/in)
Width	454 / 18	540 / 21
Depth	789 / 31	910 / 36
Height	861 / 34	1040 / 41

Electrical	Power (kW)	Total Amps (A)	Plug
208-230/60/1	2.9	15	L6-20P

*Above specifications are subject to change without notice

Features

Control System	One, Mechanical
Refrigerated Hopper	✓
Hopper Agitator	✓
Standby Mode	✓
Auto Closing Dispensing Valve	✓
Low Mix Indicator Light	✓
Low Mix Indicator Alarm	✓
Standby Mode	✓
Standby Indicator Light	✓
High Pressure Protection	✓
Thermal Overload Protection	✓
Light Box	✓
Low Mix Freeze Protection	✓

Available Options

Top Air Discharge Chute	✓
Spinner	✓